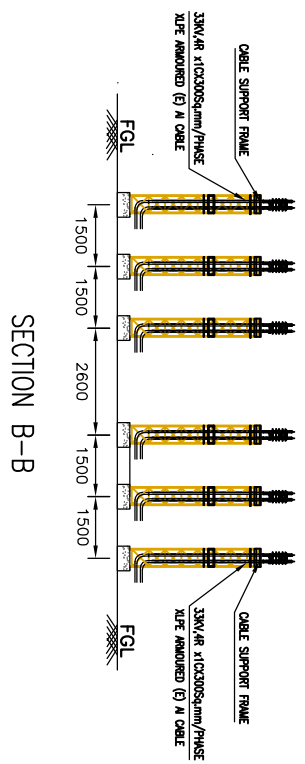
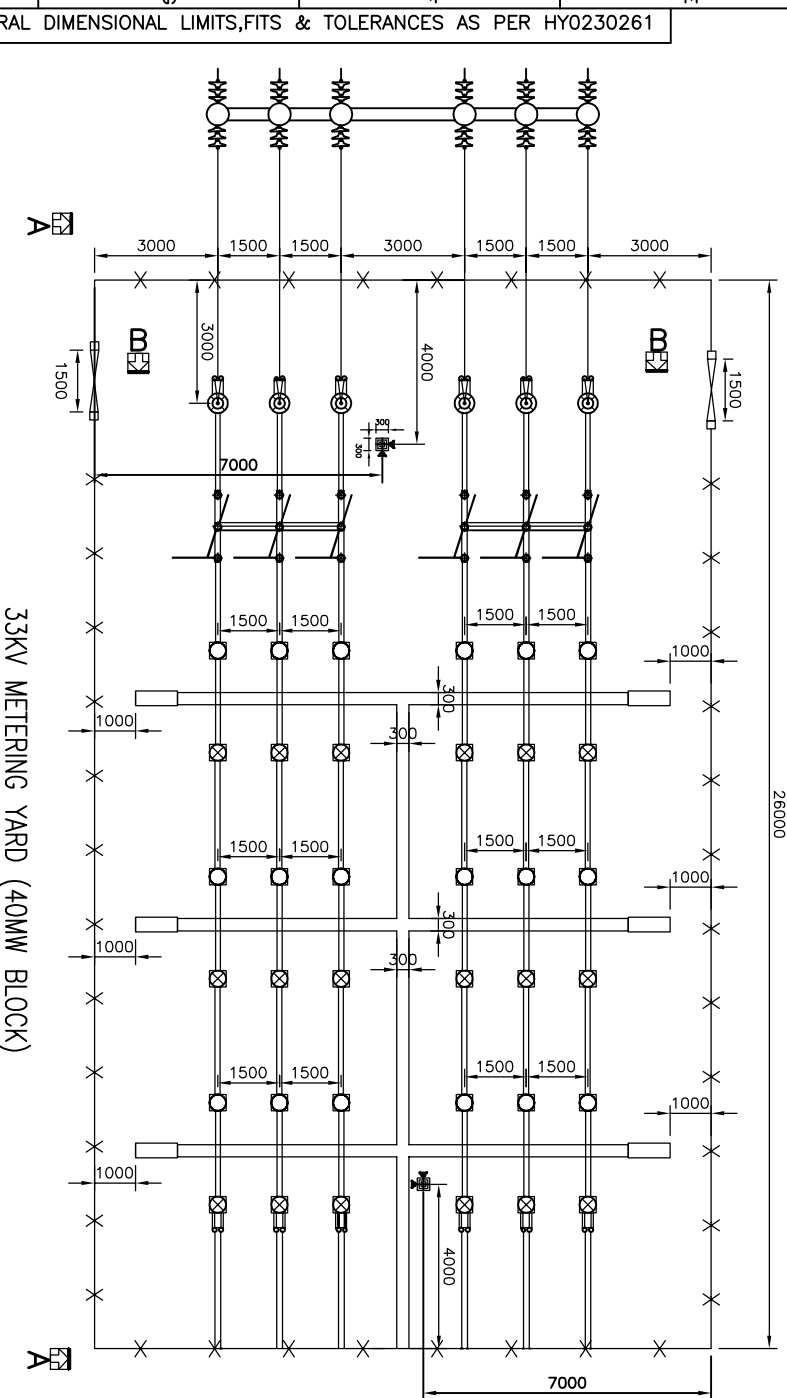
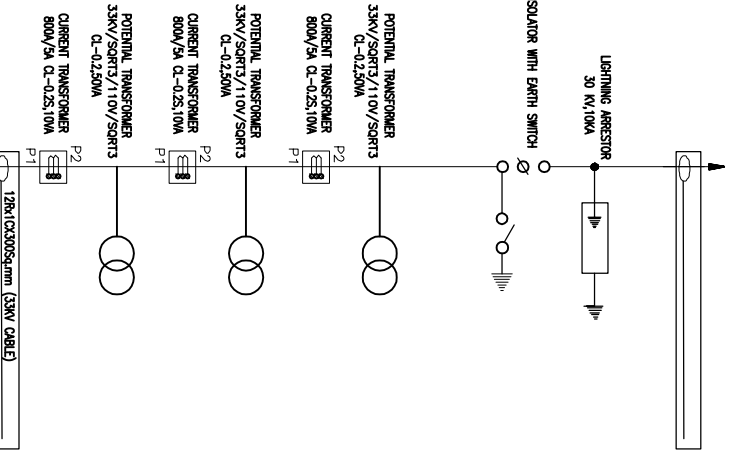
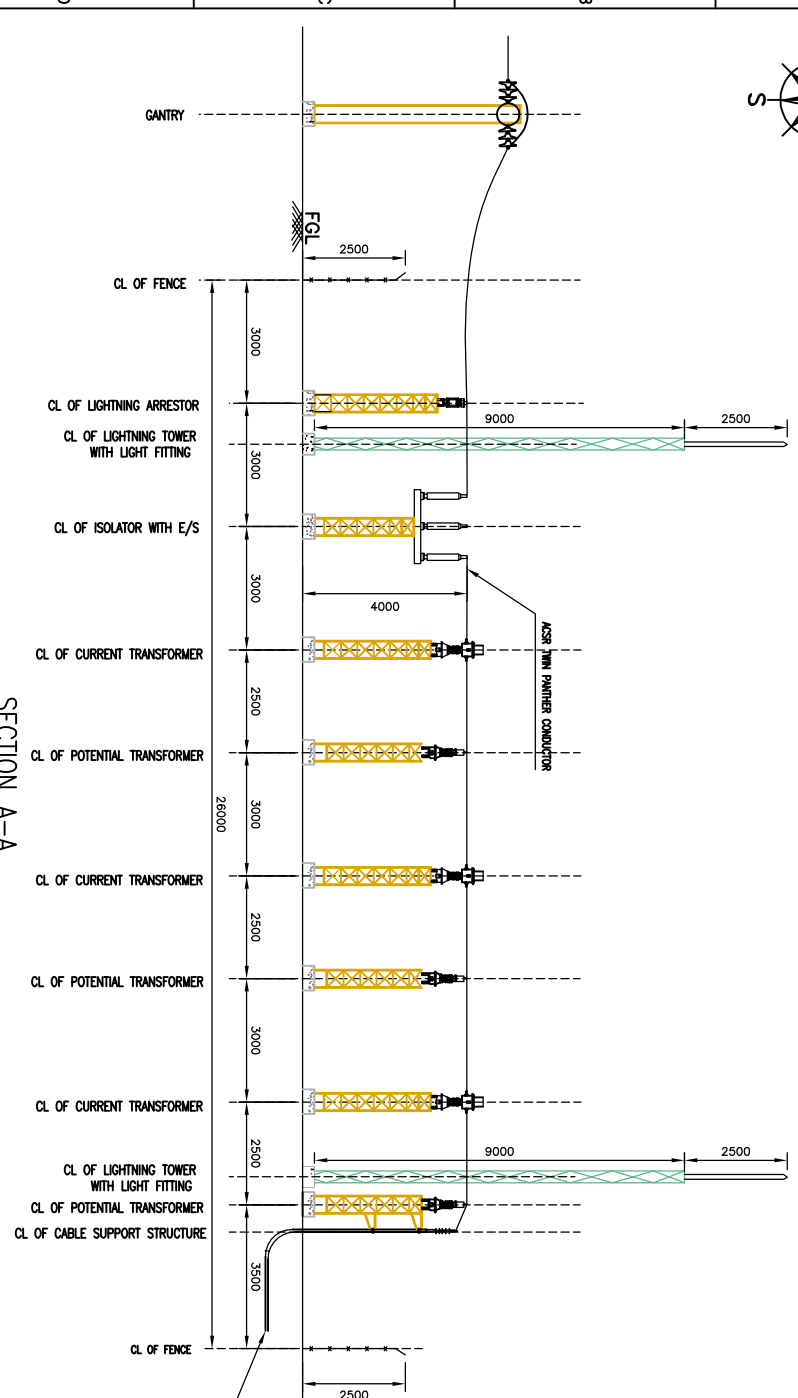
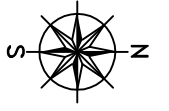


10-0102-000M-1-21-PY-00
DRG. NO. 2 OF 1 SHEETS



INVENTORY NO. SIGN. AND DATE. REF. DRG. NO. COMPUTER FILE NAME

THE INFORMATION ON THIS DOCUMENT IS THE PROPERTY OF BHARAT HEAVY ELECTRICALS LIMITED. IT MUST NOT BE USED DIRECTLY OR INDIRECTLY IN ANY WAY DETRIMENTAL TO THE INTEREST OF THE COMPANY

GENERAL DIMENSIONAL LIMITS, FITS & TOLERANCES AS PER HY0230261

REV.	DATE	ALTERED	DATE	ALTERED	DATE	ALTERED	DATE	ALTERED	DATE	ALTERED	DATE	ALTERED	DATE	ALTERED	DATE	ALTERED	DATE	ALTERED	DATE	ALTERED
ZONE	ZONE	ZONE	ZONE	ZONE	ZONE	ZONE	ZONE	ZONE	ZONE	ZONE	ZONE	ZONE	ZONE	ZONE	ZONE	ZONE	ZONE	ZONE	ZONE	ZONE
1																				
2																				
3																				
4																				
5																				
6																				
7																				
8																				
9																				
10																				
11																				
12																				

33KV METERING YARD (40MM BLOCK)

SECTION B-B

SINGLE LINE DIAGRAM

LEGEND:-

- : LIGHTNING ARRESTOR 30KV/10KA, GA-LESS STATION CLASS
- : CURRENT TRANSFORMER 400A/5A, CLASS-0.2S, 10VA
- ◇ : CONTROL CABLE TRENCH
- ▭ : POTENTIAL TRANSFORMER 33KV/SQRT3/110V/SQRT3 CLASS-0.2
- : ISOLATOR WITH EARTH SWITCH 36KV, 400A
- : GATE
- : APT METER

SITE PARAMETERS :-

- DESIGN VOLTAGE LEVEL :-
 - (A) NOMINAL SYSTEM VOLTAGE - 33KV
 - (B) HIGHEST SYSTEM VOLTAGE - 36KV
 - (C) RATED FREQUENCY - 50HZ
 - (D) FULL WAVE IMPULSE WITHSTAND VOLTAGE - 170KV
 - (E) ONE MINUTE POWER FREQUENCY - 70KV
 - (F) MINIMUM CREEPAGE DISTANCE - 25MM/KV
- MINIMUM CLEARANCE :-
 - (A) PHASE TO PHASE - 320MM
 - (B) PHASE TO EARTH - 320MM
 - (C) GROUND CLEARANCE - 3700MM
 - (D) SAFETY CLEARANCE - 2800MM
- ADOPTED DISTANCE :-
 - (A) PHASE TO PHASE - 1500MM
 - (B) PHASE TO EARTH - 1300MM
 - (C) DESIGN TEMPERATURE - 50 C
 - (D) VOLTAGE VARIATION - 10%

PRODUCT : 65MTP SOLAR POWER PLANT

CUSTOMER : NEYVELI LIGHTNING CORPORATION LTD.

CONTRACTOR : BHARAT HEAVY ELECTRICALS LTD.

UNIT : PEKESD-HYDERABAD

SCALE : 1:90

DATE : 18.08.18

DRN. : S. RASTOJ

CHKD. : P. SURESH

APPD. : J. R. RATHNAM

REV. : 00

DRG. NO. : PY-IP-1-10088-2019-01

SHT. NO. OF SHEETS : 02

NOTES:

- ALL DIMENSION ARE IN MM.
- SEPARATE LAYOUT, LIGHTNING & LIGHTNING PROTECTION LAYOUT SHALL BE SUBMITTED IN SEPARATE DRAWING.
- FOUNDATION LAYOUT WITH DETAILS OF CIVIL COMPONENTS FOR MAJOR EQUIPMENTS & STRUCTURES, FENCE & GATE DETAILS SHALL BE SUBMITTED IN SEPARATE DRAWING.
- THE LAYOUT HAS BEEN PREPARED AS PER COMPATIBLE REC STANDARDS.
- CHAIN LINK FENCE AS PER SPECIFICATION SHALL BE PROVIDED FOR THE ACTUAL ACQUIRED AREA AT SITE.
- G/ STRUCTURE FOR LACT/ISOLATOR & LIGHTNING TOWER.
- THIS IS TYPICAL DRAWING, IT WILL BE FINALIZED AFTER VENDOR CONFORMATION.